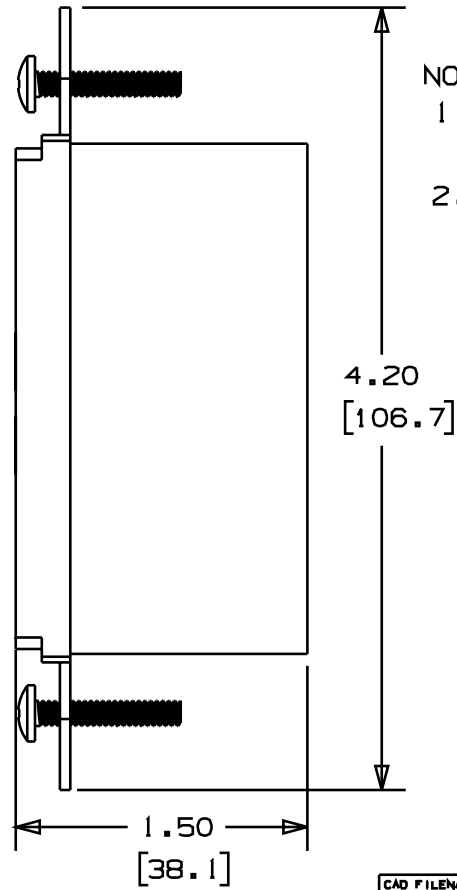
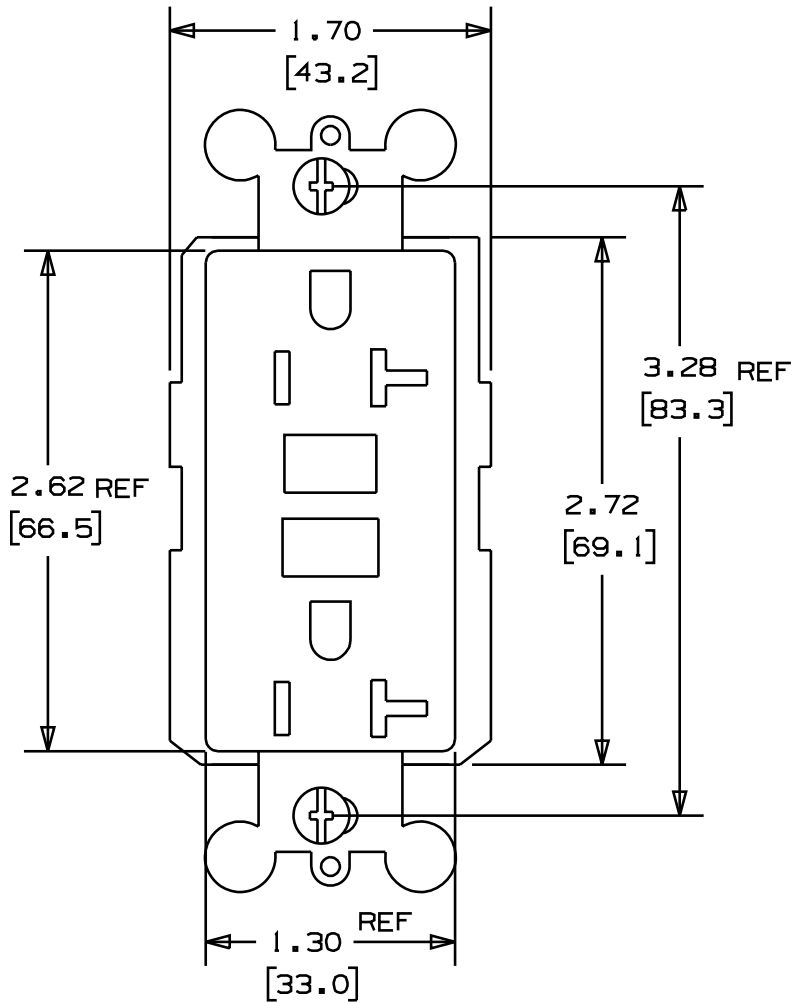


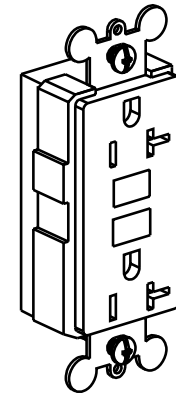
THIS COPY IS PROVIDED ON A RESTRICTED BASIS AND IS NOT TO BE USED IN ANY WAY DETRIMENTAL TO THE INTERESTS OF PANDUIT CORP.



PANDUIT P/N	WEIGHT
EGU20	2.6 LB/10 PCS (1185 g/10 PCS)

NOTES:

1. SEE CURRENT CATALOG FOR ADDITIONAL PART SUFFIXES TO INDICATE COLOR AND OR PACKAGE QUANTITY.
2. DIMENSIONS IN PARENTHESES ARE IN METRIC.



CAD FILENAME/LAYERS D37253BA_DC_EGU20_00A

PANDUIT CORP., TINLEY PARK, ILLINOIS
 20AMP RECTANGULAR GROUND FAULT
 INTERRUPT ELECTRICAL OUTLET (EGU20)
 CUSTOMER DRAWING

UNLESS OTHERWISE SPECIFIED,
 DIMENSIONAL TOLERANCES ARE:
 (.X) : (.XXX) :
 (.XX) : ±.03 (.8) ANGLES :

UNLESS OTHERWISE SPECIFIED,
 ALL DIMENSIONS ARE GIVEN
 IN INCHES, THIRD ANGLE PROJECTION.

DRAWN BY DW	MAT'L : N/A	SCALE NONE
DATE 6/10/99		DRAWING NO. 37253-03
CHK'D HIW		DWG A SIZE

R	6/10/99	DW	HIW	RELEASED TO PRODUCTION.	37253-03	HIW	HIW	
REV	DATE	BY	CHK	DESCRIPTION	ECN	R	CUST	SUP